

**SYMMETRIC LIFTS** *WIDER DRIVE THRU FOR TRUCKS AND VANS*



**SPO10** 10,000 LBS. CAPACITY  
**THE PROVEN STANDARD**

*Trust the industry standard symmetrical 10,000 lb. lift. Why look anywhere else?*

- Customize with your choice of arms and adapters
- Original "Double S" column design
- Available with conventional 3-stage arms
- Available in extended height configurations
- ALI Gold Certified



**Available with SHOCKWAVE™**  
SHOCKWAVE-Equipped SPO10-SW  
Minimum Required Ceiling Height: 12' 6"



Lift shown with **conventional three-position flip-up adapters** with **built-in height adapters** on 2-stage arms

**Model #SPO10**  
10,000 lbs. capacity



Model shown: SPO10N707RD extended height lift  
Shown with optional accessories and additional equipment

**ALSO AVAILABLE WITH**

- **Three-stage arms with RA Adapters**  
Model #SPO10-RA / 10,000 lbs. capacity



- **Three-stage arms with Truck Adapters**  
Model #SPO10-TA / 10,000 lbs. capacity



**SPO12** 12,000 LBS. CAPACITY  
**THREE STAGE ARMS for GREATER REACH**  
*The Rotary SPO12 is the choice for medium-duty lifting and quality in 12,000 lb. lifts.*

- Front & rear three-stage arms are standard
- Adjustable truck adapters with stackable inserts for added reach
- Low ceiling and extended height models available
- Original "Double S" column design
- ALI Gold Certified

**Available with SHOCKWAVE™**



**NEW! AVAILABLE EH3 EXTENDED HEIGHT MODEL**

ADDS 3' FOR NEW EURO-STYLE CARGO VANS



**Standard with three-stage FRONT arms and polymer truck adapters** primarily used on framed vehicles. Adjustable adapters thread-up and come with stackable inserts and storage rack

**Model #SPO12-TA**  
12,000 lbs. capacity



Model shown: SPO12N7TOBL  
Shown with optional accessories and additional equipment

Model: SPO12U7T8RD - shown with optional accessories and additional equipment



# LIFT SPECIFICATIONS / 10,000 lbs. and 12,000 lbs. CAPACITIES

Available with  
**SHOCKWAVE™**



**SP010**  
Standard Arms  
Flip Up Adapters



**SP010-RA**  
Three-Stage Arms  
Truck Adapters



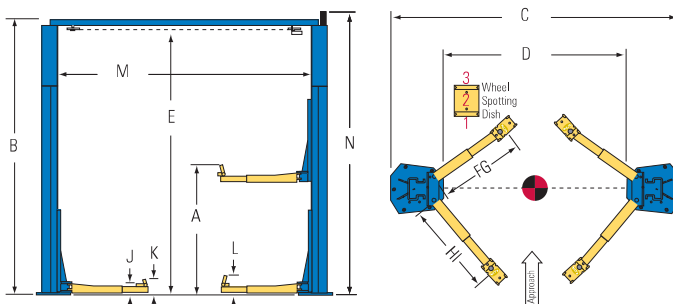
**SP010-TA**  
Three-Stage Arms  
Truck Adapters



**SP012-TA**  
Three-Stage Arms  
Truck Adapters

SHOCKWAVE Models	SP010-SW SHOCKWAVE LIFT	SP010-RASW SHOCKWAVE LIFT	SP010-TASW SHOCKWAVE LIFT	SP012-SW SHOCKWAVE LIFT
A. Rise*	72 5/8" - 78 1/8" (1845 - 1984mm)	72 1/2" - 74 3/4" (1841 - 1898mm)	72 5/8" - 75 5/8" (1845 - 1921mm)	72 3/4" - 75 3/4" (1848 - 1924mm)
<b>WITH SHOCKWAVE</b>	<b>75 5/8" - 81 1/8"</b> (1921 - 2061mm)	<b>75 1/2" - 77 3/4"</b> (1918 - 1978mm)	<b>75 5/8" - 78 5/8"</b> (1921 - 1997mm)	<b>75 3/4" - 78 3/4"</b> (1924 - 2000mm)
B. Height Overall: Standard	11' 8 1/2" (3569mm)	11' 8 1/2" (3569mm)	11' 8 1/2" (3569mm)	13' 8" (4166mm)
EH1 - adds 3" of rise height	12' 8 1/2" (3873mm)	12' 8 1/2" (3873mm)	12' 8 1/2" (3873mm)	14' 8" (4470mm)
EH2 - adds 3" of rise height	13' 8 1/2" (4178mm)	13' 8 1/2" (4178mm)	13' 8 1/2" (4178mm)	15' 8" (4775mm)
EH3 - adds 3" of rise height	N/A	N/A	N/A	16' 8" (5080mm)
C. Width Overall** (outside of base plate)	11' 5 1/2" (3493mm)	11' 5 1/2" (3493mm)	11' 5 1/2" (3493mm)	11' 5 5/8" (3496mm)
D. Drive-Thru Clearance	102 1/2" (2603mm)	102 1/2" (2603mm)	102 1/2" (2603mm)	102 3/8" (2600mm)
E. Floor To Overhead Switch	11' 2 3/4" (3423mm)	11' 2 3/4" (3423mm)	11' 2 3/4" (3423mm)	13' 3 1/8" (4042mm)
F. Reach (front arm min.)	31" (787mm)	27 1/2" (699mm)	27 1/2" (699mm)	27 1/2" (699mm)
G. Reach (front arm max.)	54" (1372mm)	59" (1499mm)	59" (1499mm)	59" (1499mm)
H. Reach (rear arm min.)	31" (787mm)	27 1/2" (699mm)	27 1/2" (699mm)	27 1/2" (699mm)
I. Reach (rear arm max.)	54" (1372mm)	59" (1499mm)	59" (1499mm)	59" (1499mm)
J. Min. Adapter Height	4 5/8" (118mm)	4 1/2" (114mm)	4 5/8" (143mm)	4 3/4" (121mm)
Max. Adapter Height	N/A	6 3/4" (171mm)	7 5/8" (194mm)	7 3/4" (197mm)
K. Low Step Height	7" (178mm)	N/A	N/A	N/A
L. High Step Height	10 1/4" (260mm)	N/A	N/A	N/A
M. Inside Columns	114 1/2" (2908mm)	114 1/2" (2908mm)	114 1/2" (2908mm)	114 7/8" (2918mm)
N. Cylinder Height at full rise*	11' 10 3/4" (3626mm)	11' 10 3/4" (3626mm)	11' 10 3/4" (3626mm)	11' 10 3/4" (3626mm)
<b>WITH SHOCKWAVE</b>	<b>12' 4 1/2" (3772mm)</b>	<b>12' 4 1/2" (3772mm)</b>	<b>12' 4 1/2" (3772mm)</b>	<b>12' 4 1/2" (3772mm)</b>
Lifting Capacity	10,000 lbs. (4536kg)	10,000 lbs. (4536kg)	10,000 lbs. (4536kg)	12,000 lbs. (5443kg)
Motor / Voltage***	2 HP / 208v-230v	2 HP / 208v-230v	2 HP / 208v-230v	2 HP / 208v-230v
<b>WITH SHOCKWAVE</b>	<b>5 HP / 110v</b>	<b>5 HP / 110v</b>	<b>5 HP / 110v</b>	<b>5 HP / 110v</b>
Time of Full Rise	45 seconds	45 seconds	45 seconds	60 seconds
<b>WITH SHOCKWAVE</b>	<b>25 seconds</b>	<b>25 seconds</b>	<b>25 seconds</b>	<b>25 seconds</b>
Ceiling Height Required:				
Standard	12' (3658mm)	12' (3658mm)	12' (3658mm)	13' 9" (4191mm)
<b>WITH SHOCKWAVE</b>	<b>12' 6" (3810mm)</b>	<b>12' 6" (3810mm)</b>	<b>12' 6" (3810mm)</b>	<b>13' 9" (4191mm)</b>
EH1	12' 10" (3912mm)	12' 10" (3912mm)	12' 10" (3912mm)	14' 9" (4496mm)
EH2	13' 10" (4216mm)	13' 10" (4216mm)	13' 10" (4216mm)	15' 9" (4801mm)
EH3	N/A	N/A	N/A	16' 9" (5105mm)
Max Load (per arm)	2,500 lbs. (1134kg)	2,500 lbs. (1134kg)	2,500 lbs. (1134kg)	3,000 lbs. (1360kg)
Min. Bay Size	12' x 24' (3658 x 7315mm)	12' x 24' (3658 x 7315mm)	12' x 24' (3658 x 7315mm)	12' x 26' (3658 x 7925mm)

Models: SP010 SP010-RA SP010-TA SP012-TA



\* Rise measures lowest or highest position of the supplied adapters from floor to full cylinder stroke.

\*\* Overall heights and widths reflect standard settings. Alternate settings may be available, refer to Installation Instruction Manual or consult factory for details.

\*\*\*Optional 3-phase electrical available.

Standard color of lifts are blue and red unless otherwise noted. Gray and black are available at no additional charge. Additional colors are available, consult your Rotary® representative for details.

	RAL5005		RAL3002
	RAL7040		RAL9005